

# Standard Broadband Drop Configuration for Single Family Home

## Step 1 BroadbandBI responsibility

### Outdoor Construction

- One dedicated **underground or aerial** single-fiber service drop cable provided per property
- One **Network Interface Device (NID)**

## Step 2 BroadbandBI responsibility

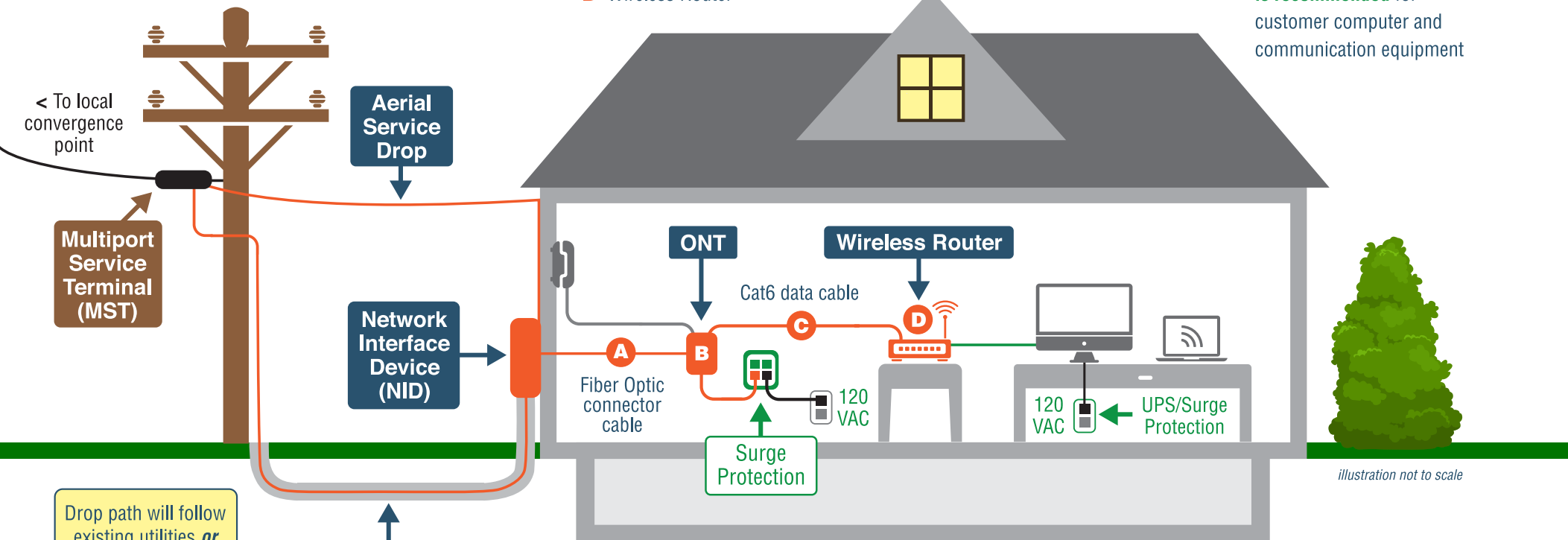
### Indoor Service Installation

- One **Optical Network Terminal (ONT)** includes:
  - A** Fiber Optic connector cable up to 50 feet
  - B** ONT with Li-Ion battery backup
  - C** Cat6 data cable connecting ONT to router
  - D** Wireless Router

## Step 3 Customer responsibility

### Indoor Components

- **Customer is responsible** for any additional costs for nonstandard or complex installations, and multiple data cables
- **UPS/Surge protection is recommended** for customer computer and communication equipment



Drop path will follow existing utilities or most efficient route

**Underground Service Drop**  
Installed in new or existing conduit.  
*Additional charges may apply for non-standard installations*

## Glossary

**Multiport Service Terminal (MST)** – provides multiple fiber tap ports for service drop connections

**Network Interface Device (NID)** – junction box installed outdoors

**Optical Network Terminal (ONT)** – transceiver device that converts between electrical and optical signals at the customer premises

**Cat6** – Category 6 cable that uses 4 unshielded, twisted-pair wires to carry up to 1 Gbps data signals up to 100 meters

**Li-Ion Battery** – provides up to 8 hrs of power backup to the ONT

**Uninterrupted Power Supply (UPS)** – a device that provides short-term backup electrical power for connected devices